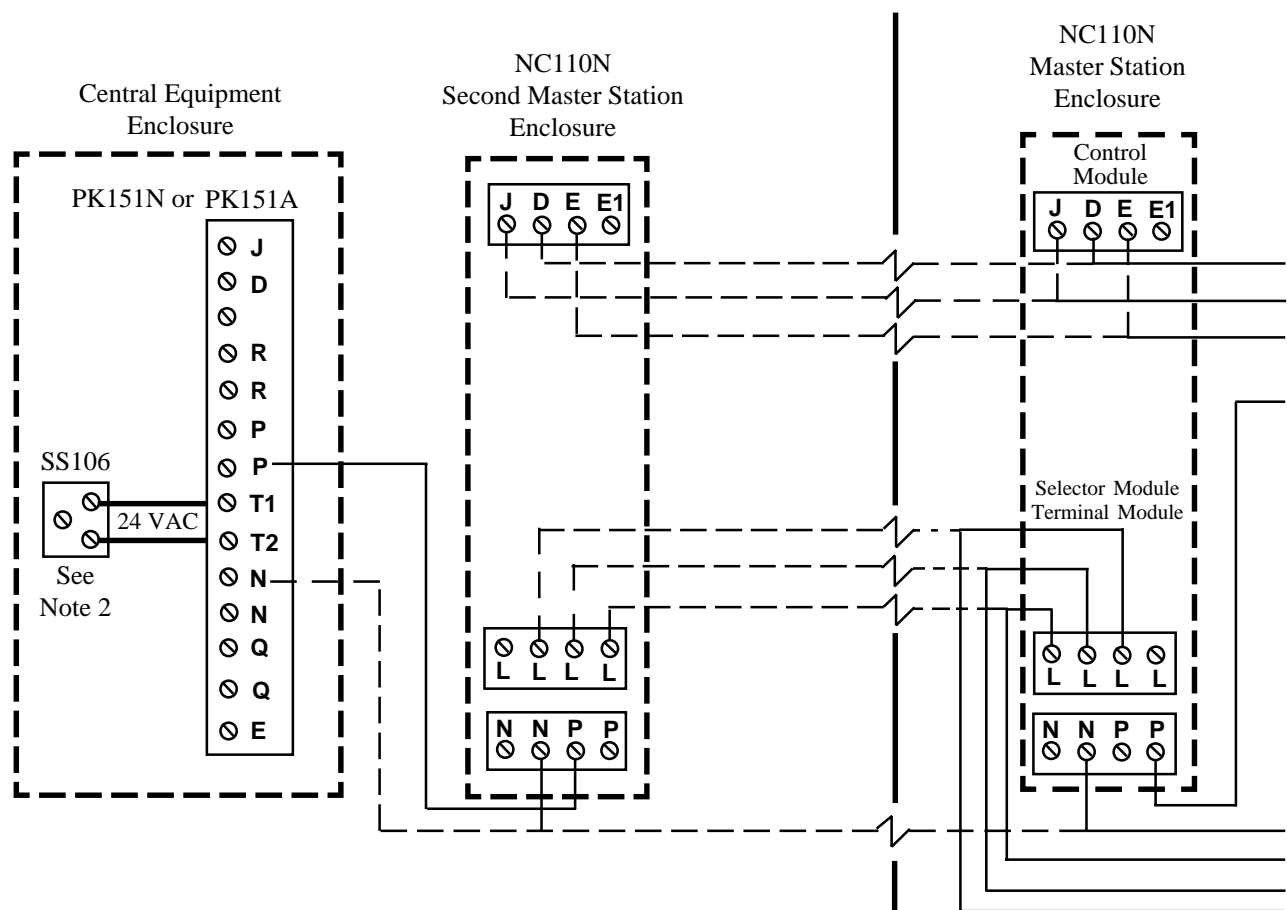


NC110N NURSE CALL SYSTEM SECOND MASTER WIRING DIAGRAM



Notes

1. Main supply circuit, connect to 117 VAC, 60Hz (40 watts max). Use #18 gauge wire minimum. SS106 transformer rating is 24 VAC, 30VA maximum.
2. Terminal identifications shown are not in actual order.
3. All common wires are #18 gauge. All other wires are #22 gauge.

**NOTE: SEE NC110N SYSTEM WIRING MANUAL
NO. IL381 FOR BALANCE OF CONNECTIONS!!**

Alpha Communications

42 Central Drive
Farmingdale NY 11735-1202

Toll-Free Technical Line 1-800-666-4800

Phone (631) 777-5500 Fax (631) 777-5599

Internet: <http://www.alpha-comm.com>

Email: info@alpha-comm.com



TITLE: NC110N SECOND MASTER WIRING DIAGRAM

MATL: MEL

DATE: 10/07/96

APP: NC110N NURSE CALL SYSTEM

REV: 2

PAGE: NL301-A