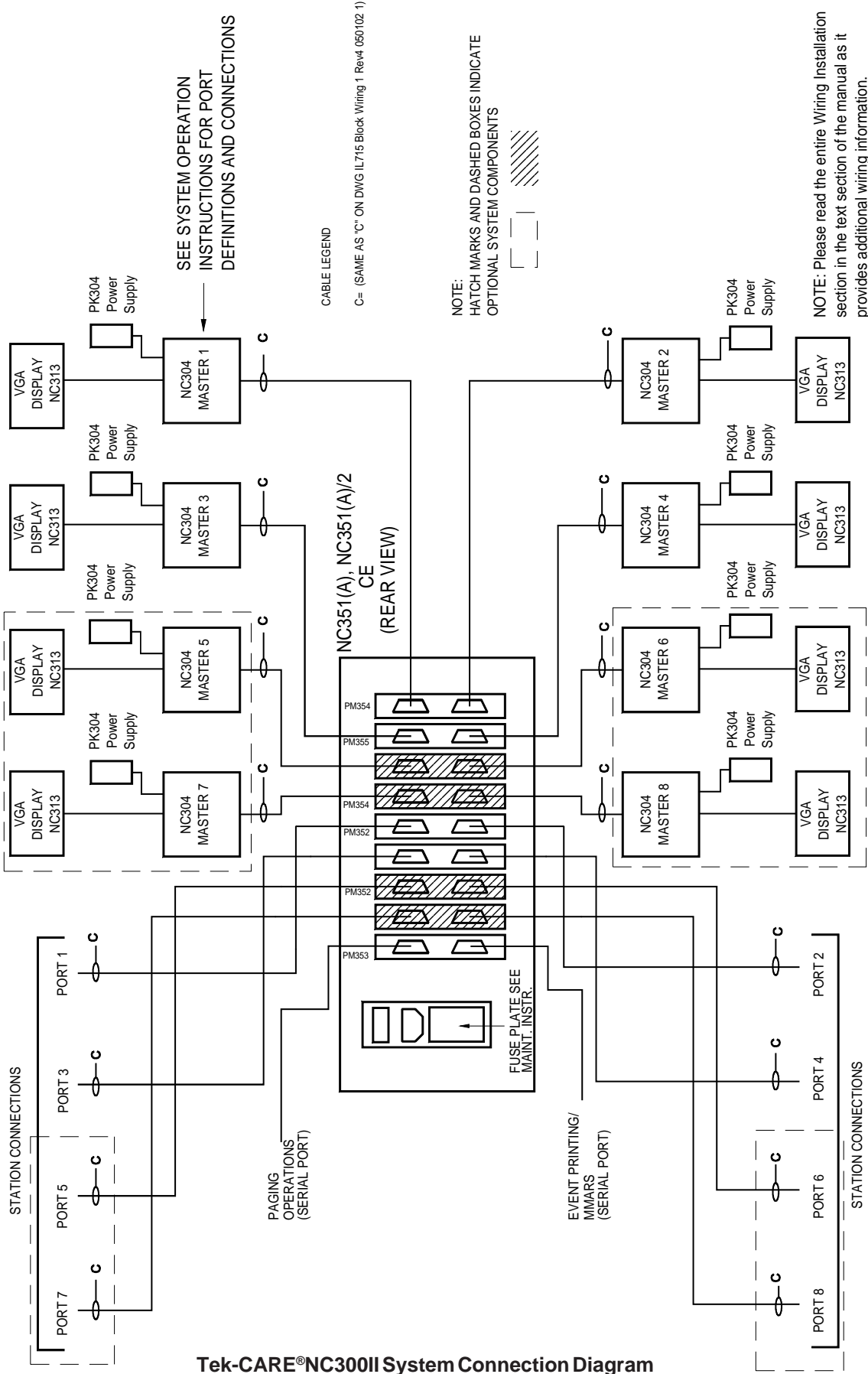




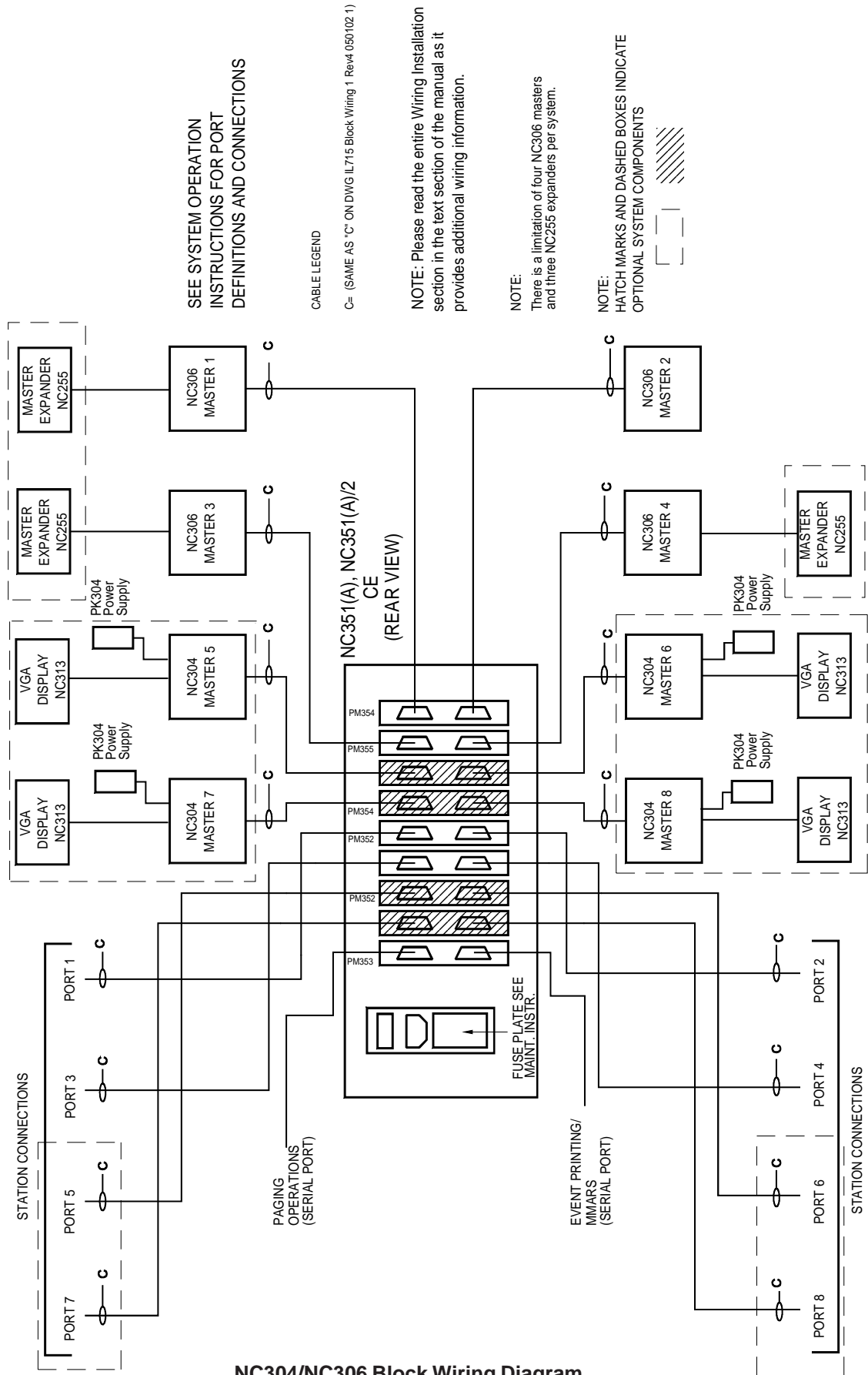
This Block Wiring Diagram is a subset of IL715 Rev. 11 - 12/2005, and is provided for quotation purposes only. Refer to the manual for complete wiring and installation instructions.



Tek-CARE® NC300II System Connection Diagram

Drawing Name & Number: IL715 Block Wiring 2 Rev4 042004 1

This Block Wiring Diagram is a subset of IL715 Rev. 11 - 12/2005, and is provided for quotation purposes only. Refer to the manual for complete wiring and installation instructions.



SEE SYSTEM OPERATION INSTRUCTIONS FOR PORT DEFINITIONS AND CONNECTIONS

CABLE LEGEND

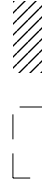
C= (SAME AS "C" ON DWG IL715 Block Wiring 1 Rev4 050102 1)

NOTE: Please read the entire Wiring Installation section in the text of the manual as it provides additional wiring information.

NOTE:

There is a limitation of four NC306 masters and three NC255 expanders per system.

NOTE: HATCH MARKS AND DASHED BOXES INDICATE OPTIONAL SYSTEM COMPONENTS



NC304/NC306 Block Wiring Diagram