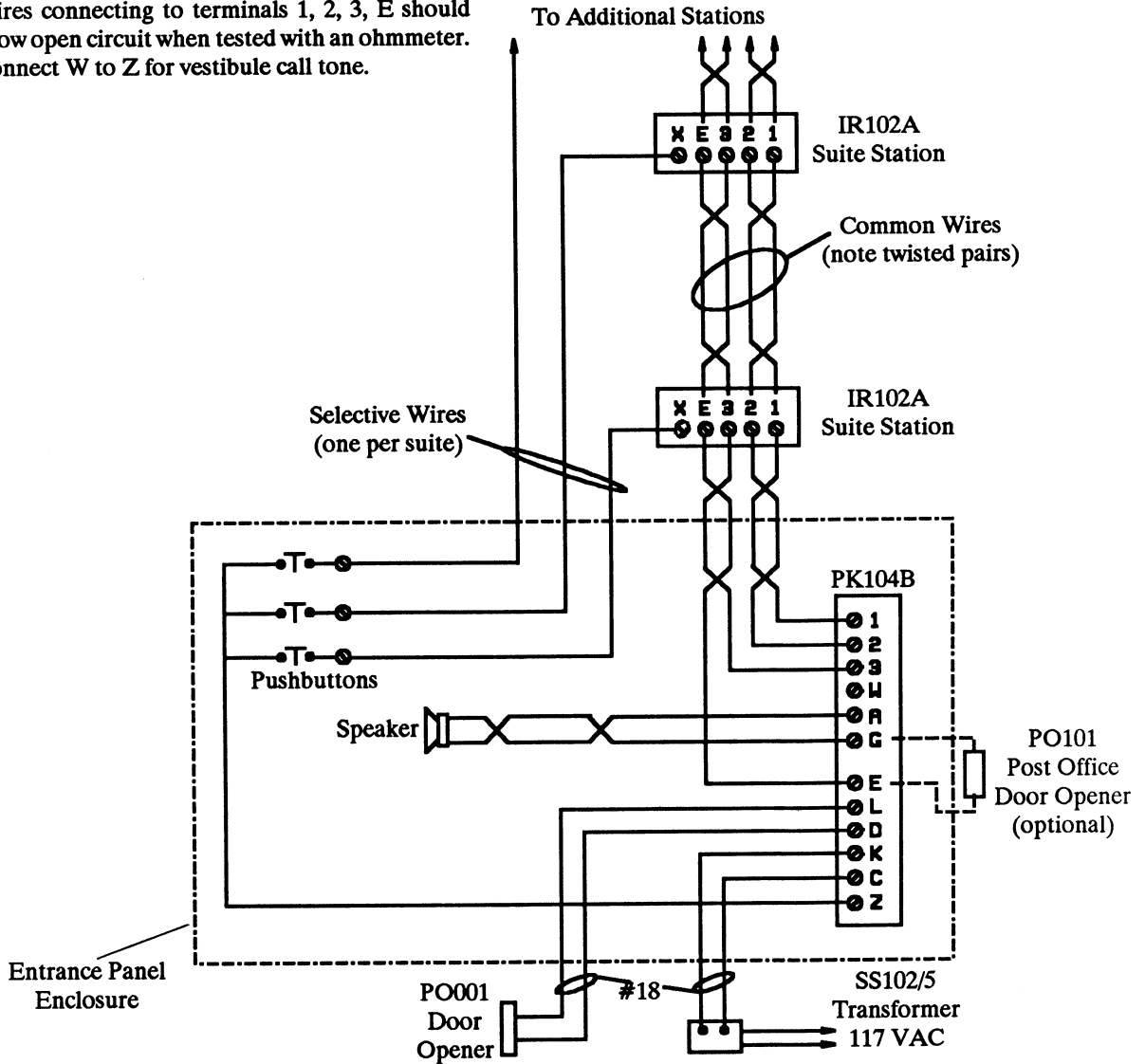



NOTES:

1. All wire #22 except as shown otherwise.
2. Use twisted pairs where shown.
3. Use 16 volt, 15VA transformer.
4. Install amplifier close to entrance panel.
5. Do not install transformer near the amplifier.
6. Install transformer in ventilated place.
7. Use very small screwdriver to adjust volume.
8. Check for shorts before connecting amplifier.
9. Wires connecting to terminals 1, 2, 3, E should show open circuit when tested with an ohmmeter.
10. Connect W to Z for vestibule call tone.



NOTE: this is a discontinued system, and all information shown is for reference purposes only!

	<p>Typical Wiring Diagram for IR102A 2-Button Apt. Intercom Stations with PK104B Amplifier and 1 Entrance Panel.</p>
<p>42 Central Drive, Farmingdale NY 11735-1202 (631) 777-5500 Fax: (631) 777-5599 TOLL-FREE Technical Line 1-800-666-4800 Email: info@alpha-comm.com</p>	