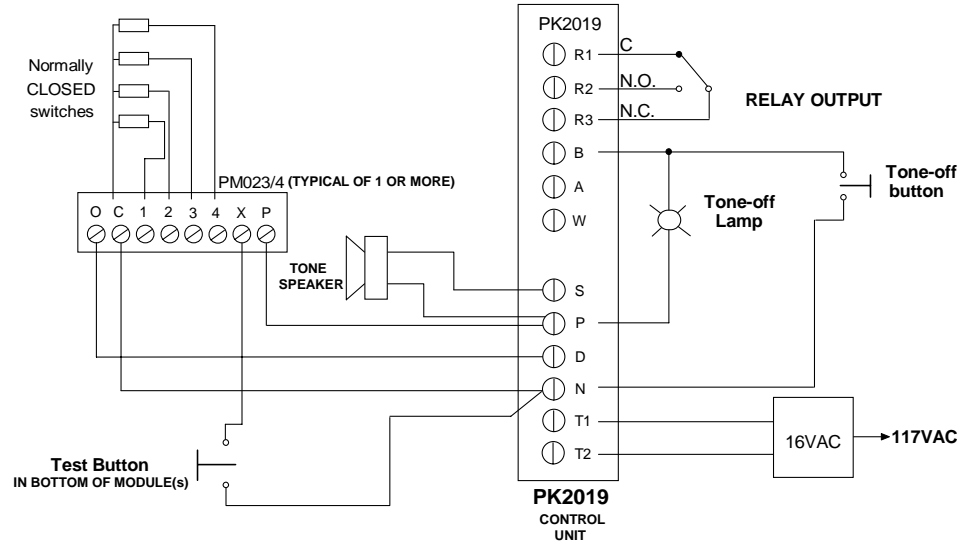
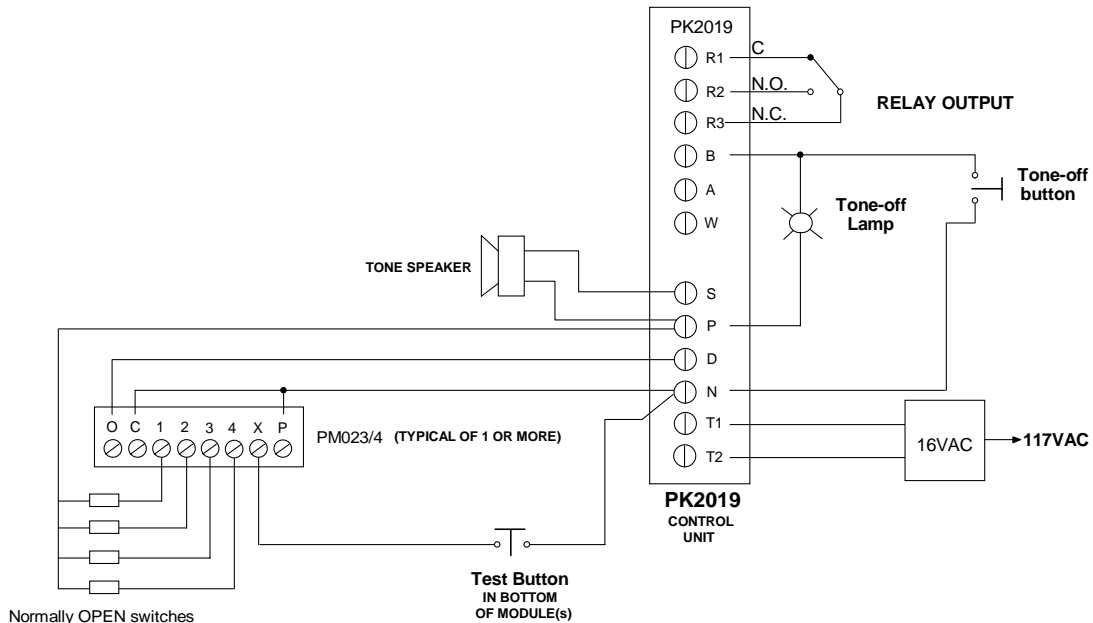


- Notes: 1. All wiring #22AWG unless shown otherwise
 2. The DS100 master station can support Normally Open --OR-- Normally Closed contacts, but all must be the same type on each master station.
 3. On systems using Normally Closed contacts, remember to jump out between 'C' and any of the 1,2,3 or 4 terminals that don't have contacts connected to prevent constant alarming.
 4. Observe all local and national electrical codes.

PK2019 w/ PM023/4 LAMP MODULE(s) AND NORMALLY CLOSED SWITCHES



PK2019 w/ PM023/ 4 LAMP MODULE(s) AND NORMALLY OPEN SWITCHES



42 Central Drive, Farmingdale NY 11735-1202
 (631) 777-5500 Fax: (631) 777-5599
 TOLL-FREE Technical Line 1-800-666-4800
 Email: info@alpha-comm.com

Typical Wiring Diagram for DS100 Latching Annunciator with PK2019 Control Unit and PM023/4 4-lamp module(s), with Normally Open --OR-- Normally Closed type Dry contacts.